

Original scientific paper

HAMILTONIAN-BASED FREQUENCY-AMPLITUDE FORMULATION FOR NONLINEAR OSCILLATORS

**Ji-Huan He^{1,2,3}, Wei-Fan Hou¹, Na Qie¹, Khaled A. Gepreel^{4,5},
Ali Heidari Shirazi⁶, Hamid Mohammad-Sedighi^{6,7}**

¹School of Science, Xi'an University of Architecture and Technology, Xi'an, China

²School of Mathematics and Information Science, Henan Polytechnic University, Jiaozuo, China

³National Engineering Laboratory for Modern Silk, College of Textile and Clothing Engineering, Soochow University, Suzhou, China

⁴Math. Depart. Faculty of Science, Taif University, Saudi Arabia

⁵Mathematics Department, Faculty of Science Zagazig University Egypt

⁶Mechanical Engineering Department, Faculty of Engineering, Shahid Chamran University of Ahvaz, Ahvaz, Iran

⁷Drilling Center of Excellence and Research Center, Shahid Chamran University of Ahvaz, Ahvaz, Iran

Abstract. *Complex mechanical systems usually include nonlinear interactions between their components which can be modeled by nonlinear equations that describe the sophisticated motion of the system. In order to interpret the nonlinear dynamics of these systems, it is necessary to compute their nonlinear frequencies more precisely. The nonlinear vibration process of a conservative oscillator always follows the law of energy conservation. A variational formulation is constructed and its Hamiltonian invariant is obtained. This paper suggests a Hamiltonian-based formulation to quickly determine the frequency property of the nonlinear oscillator. An example is given to explicate the solution process.*

Key words: *He's frequency formulation, Ancient Chinese mathematics, Semi-inverse method, Periodic solution*

Received December 05, 2020 / Accepted January 06, 2021

Corresponding author: Ji-Huan He

A School of Mathematics and Information Science, Henan Polytechnic University, Jiaozuo, China; and National Engineering Laboratory for Modern Silk, College of Textile and Clothing Engineering, Soochow University, 199 Ren-Ai Road, Suzhou, China

E-mail: hejihuan@suda.edu.cn

1. INTRODUCTION

Small amplitude oscillation of a pendulum or vibration in a long slender beam with low amplitude represent examples of the systems that can be well described using linear vibration theories. However, as the system components shift toward more sophisticated interactions, both nonlinear oscillators and their nonlinear characteristic equations play a vital role in explaining the behavior of complex systems. The unique phenomenon that can be modeled only through nonlinear systems, such as jump phenomenon, chaos, multiple steady-state solutions, etc., are the main significance of using the nonlinear oscillators in the vast majority of fields, especially in engineering structures. Nonlinear stiffness and friction in dynamical systems [1], complex beam and piezoelectric plate-based self-sustainable electromechanical models [2,3], nonlinear reinforced nanofibers [4], vibration caused by the interaction between vehicle and bridge [5], large amplitude vibration of beams [6-12] and dynamics of micro/nanoelectromechanical systems [13-18] are a few examples of nonlinear systems in the field of mechanical engineering. From the mathematical point of view, the Duffing oscillator, Van der Pol and Mathieu are well-known nonlinear equations. Several nonlinear systems can be described by utilizing the Duffing equation, from a simple pendulum with harmonic motion to the vibration of arched structures [19]. The Duffing equation especially emerges in mechanical systems with the presence of nonlinear stiffness springs. In many cases, stiffness is a function of displacement, which leads to cubic terms in the governing equations. Ultimately, this forms a nonlinear relation between the applied force to the spring and the resulting displacement. For instance, Fig. 1 shows a truck's rear Leaf suspension. The chaotic vibration caused by road excitation in vehicles can be studied by modeling the leaf spring with magnets as a double-potential-well Duffing oscillator [20].

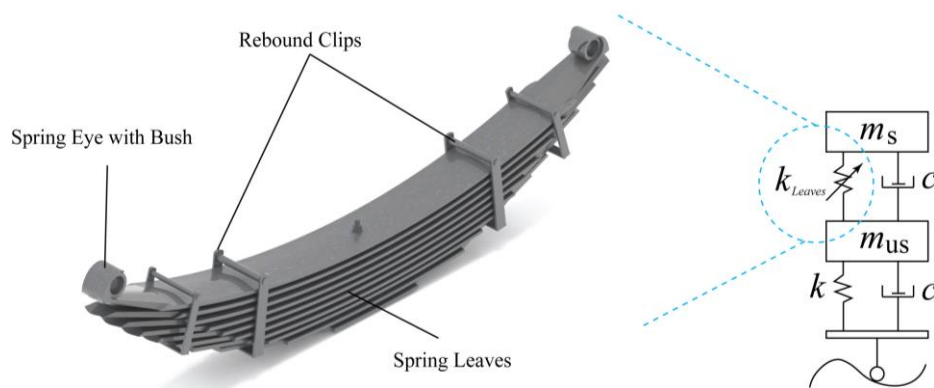


Fig. 1 Leaf Spring (Left) and quarter car diagram of a nonlinear suspension (Right)

Van der Pol is another example of nonlinear self-excited limit cycle oscillators that is widely used to describe various systems in electrical and mechanical engineering, seismology, economics, etc. A classical representation of the Van der Pol oscillator is in oscillator triode circuits [21]. This equation is also used to describe the Cardiac Pulse Modeling [22]. Another well-known nonlinear equation is Mathieu's equation. This equation was firstly encountered by Émile Léonard Mathieu when he was studying vibrating elliptical drumheads. Mathieu's equation tends to appear in the systems with

harmonic motion and is a powerful tool for modeling systems with elliptic boundary conditions. For instance, a wind turbine blade under influence of wind shear force and gravitational cyclic force (Fig. 2) can be expressed using the forced Mathieu equation [23].

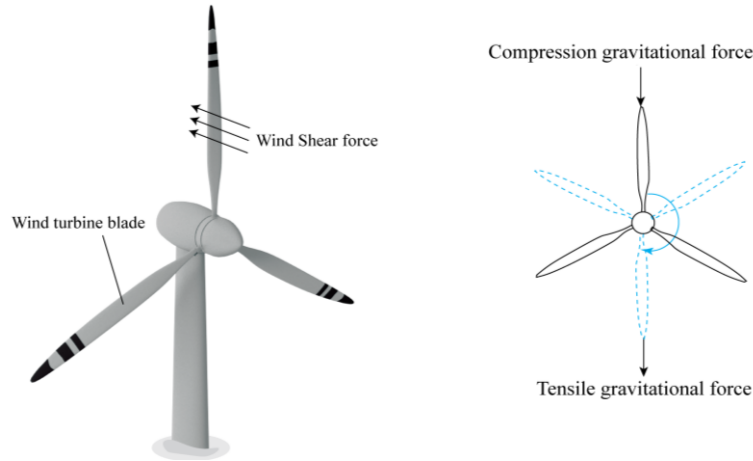


Fig. 2 Wind turbine (Left) and cyclic gravitational force on a blade (Right)

In this paper, based on the energy conservation, a modification of the frequency formulation is proposed in order to obtain the frequency-amplitude formulation of nonlinear systems. It is demonstrated that the proposed formulation is accurate enough for highly nonlinear differential equations containing large nonlinear terms. Several examples are also provided to exhibit the integrity of the introduced formulation.

2. PROBLEM STATEMENT

This paper focuses itself on the following conservative oscillator

$$w'' + p(w) = 0, w'(0) = 0 \quad w(0) = B \quad (1)$$

For a periodic solution, it requires $p(w)/w > 0$. There are many analytical methods available for solving Eq. (1), see some review articles in Refs. [24-26]. This paper will discuss the frequency-amplitude formulation, which was first proposed in 2006; it was obtained according to an ancient Chinese algorithm [27-29]. Due to its simplicity and accuracy, the formulation has been widely applied to solving various nonlinear oscillators; various modifications appeared in literature [30-38].

The formulation is to find a suitable solution in the form

$$w = B \cos \omega t \quad (2)$$

where ω is the frequency to be further determined. B residual equation is obtained by introducing Eq. (2) into Eq. (1), which results in

$$r(t) = -B\omega^2 \cos \omega t + p(B \cos \omega t) \quad (3)$$

The average residual can be calculated as

$$\tilde{r} = \frac{4}{T} \int_0^{T/4} r \cos \omega t dt \quad (4)$$

where $T = 2\pi/\omega$.

The formulation is to choose two trial frequencies, e.g., $\omega_1 = 1$ and $\omega_2 = 2$, and their residuals are respectively calculated as

$$\tilde{r}_1 = \frac{4}{T_1} \int_0^{T_1/4} r_1 \cos \omega_1 t dt \quad (5)$$

$$\tilde{r}_2 = \frac{4}{T_2} \int_0^{T_2/4} r_2 \cos \omega_2 t dt \quad (6)$$

The frequency-amplitude formulation is obtained as follows [27-29]

$$\omega^2 = \frac{\omega_2^2 \tilde{r}_1 - \omega_1^2 \tilde{r}_2}{\tilde{r}_1 - \tilde{r}_2} \quad (7)$$

There are many modifications of Eq. (7), see for examples, refs [30-38]. This paper will suggest an effective modification based on the Hamiltonian invariant.

3. HAMILTONIAN-BASED FREQUENCY-AMPLITUDE FORMULATION

The above frequency formulation is derived from a differential equation, here we suggests a modification from an energy form. The kinetic energy and the potential energy are changed during the oscillation process, but the total energy will keep unchanged for a conservative oscillator. In 2002, an energy approach to nonlinear oscillations was suggested [39].

The variational principle of Eq. (1) can be constructed by the semi-inverse method [40-43], which is

$$J(w) = \int \left\{ \frac{1}{2} w'^2 - P(w) \right\} dt \quad (8)$$

where $p(w)$ is the potential, satisfying the following relation:

$$\frac{d}{dw} P(w) = p(w) \quad (9)$$

In the variational formulation given in Eq. (8), $\frac{1}{2} w'^2$ is the kinetic energy, and $P(w)$ is the potential energy. The total energy keeps unchanged during the oscillation:

$$\frac{1}{2} w'^2 + P(w) = H \quad (10)$$

where H is the Hamiltonian constant, which can be identified by the initial conditions given in Eq. (1). Finally we obtain the following first order differential equation,

$$\frac{1}{2}w'^2 + P(w) - P(B) = 0 \quad (11)$$

We use Eq. (11) instead of Eq. (1) to re-build the frequency-amplitude formulations. Substituting Eq. (2) into Eq. (11) results in the following residual equation,

$$R(t) = B^2\omega^2 \sin^2 \omega t + P(B \cos \omega t) - P(B) \quad (12)$$

Similarly we define two average residuals

$$\tilde{R}_1 = \frac{4}{T_1} \int_0^{T_1/4} R_1 \cos \omega_1 t dt \quad (13)$$

$$\tilde{R}_2 = \frac{4}{T_2} \int_0^{T_2/4} R_2 \cos \omega_2 t dt \quad (14)$$

A modification of the frequency- amplitude formulation is given as follows

$$\omega^2 = \frac{\omega_2^2 \tilde{R}_1 - \omega_1^2 \tilde{R}_2}{\tilde{R}_1 - \tilde{R}_2} \quad (15)$$

4. EXAMPLE

Consider the following well-known Duffing equation,

$$w'' + w + \epsilon w^3 = 0, w'(0) = 0 \quad w(0) = B \quad (16)$$

Eq. (16) can be reduced to the following first-order differential equation,

$$\frac{1}{2}w'^2 + \frac{1}{2}w^2 + \frac{1}{4}\epsilon w^4 - \frac{1}{2}B^2 - \frac{1}{4}\epsilon B^4 = 0 \quad (17)$$

We choose two arbitrary frequencies, e.g., $\omega_1 = 1$ and $\omega_2 = 2$, and obtain the following residual equations, respectively.

$$R_1 = \frac{1}{2}B^2 \sin^2 t + \frac{1}{2}B^2 \cos^2 t + \frac{1}{4}\epsilon B^4 \cos^4 t - \frac{1}{2}B^2 - \frac{1}{4}\epsilon B^4 \quad (18)$$

$$R_2 = 2B^2 \sin^2 2t + \frac{1}{2}B^2 \cos^2 2t + \frac{1}{4}\epsilon B^4 \cos^4 2t - \frac{1}{2}B^2 - \frac{1}{4}\epsilon B^4 \quad (19)$$

Their average residuals can be easily calculated:

$$\tilde{R}_1 = \frac{4}{T_1} \int_0^{T_1/4} R_1 \cos t dt = \frac{-7B^4 \epsilon}{30\pi} \quad (20)$$

$$\tilde{R}_2 = \frac{4}{T_2} \int_0^{T_2/4} R_2 \cos 2t dt = \frac{-7B^4 \epsilon + 30B^2}{30\pi} \quad (21)$$

According to the modified frequency-amplitude formulation, we obtain

$$\omega = \sqrt{\frac{\tilde{R}_1 \omega_2^2 - \tilde{R}_2 \omega_1^2}{\tilde{R}_1 - \tilde{R}_2}} = \sqrt{1 + \frac{7}{10} \varepsilon B^2} \quad (22)$$

To show its accuracy given in Eq. (22), we consider two extremes when $\varepsilon B^2 \rightarrow 0$ and $\varepsilon B^2 \rightarrow \infty$.

When $\varepsilon B^2 \ll 1$ Eq. (22) can be approximated as

$$\omega = 1 + \frac{7}{20} \varepsilon B^2 \quad (23)$$

While the perturbation solution is [32]

$$\omega = 1 + \frac{3}{8} \varepsilon B^2 \quad (24)$$

Table 1 shows that both Eq. (23) and Eq. (24) see good accuracy when $\varepsilon B^2 \ll 1$. Fig. 3 also shows the good agreement between the approximate and the exact solutions.

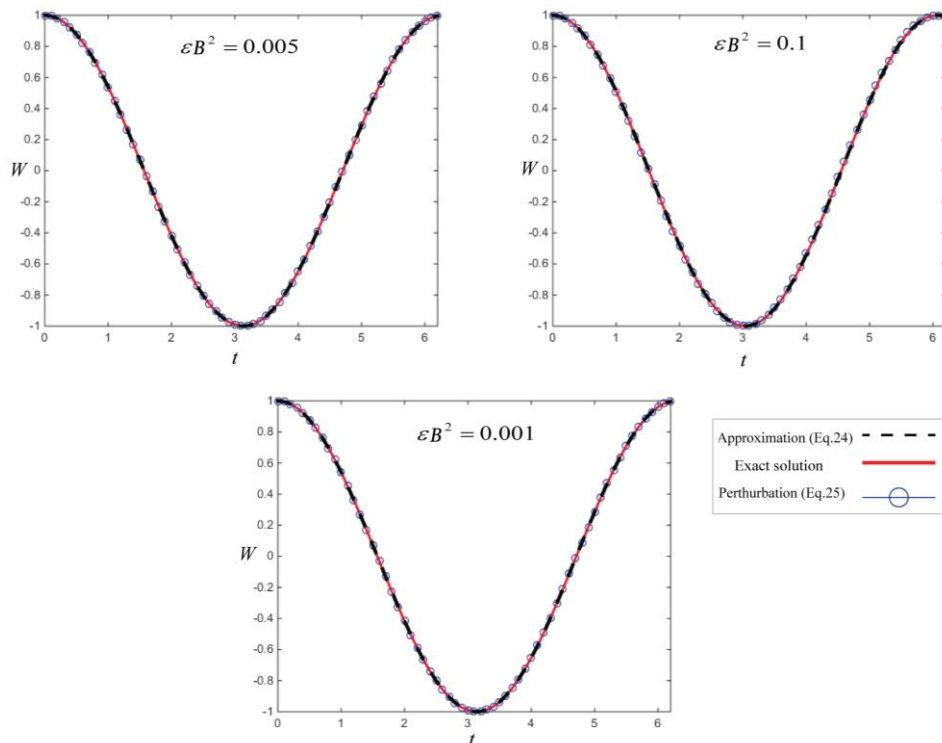


Fig. 3 Comparison of the approximate solution, the red continuous line is the exact solution, the black discontinuous line is the approximate solution, and the blue circles are perturbation solution

Table 1. Comparison of the approximate frequency of Eq. (23) with the exact one and the perturbation solution

ϵB^2	0	0.001	0.0025	0.003	0.005	0.007	0.009
Eq.(23)	1	1.00035	1.000875	1.00105	1.00175	1.00245	1.00315
Eq.(24)	1	1.000375	1.0009375	1.001125	1.001875	1.002625	1.003375
Exact frequency	1	1.000380	1.0009442	1.00113	1.0018726	1.002613	1.003369

When $\epsilon B^2 \rightarrow \infty$, its approximate period becomes

$$\lim_{\epsilon B^2 \rightarrow \infty} T_{app} = \frac{2\pi}{\omega} = \lim_{\epsilon B^2 \rightarrow \infty} \frac{2\pi}{\sqrt{1 + \frac{7}{10}\epsilon B^2}} = \frac{7.5098}{\sqrt{\epsilon B^2}} \tag{25}$$

The exact period, when $\epsilon B^2 \rightarrow \infty$, is

$$T_{ex} = \frac{4}{\sqrt{\epsilon B^2}} \int_0^{\pi/2} \frac{dx}{\sqrt{1 - 0.5 \sin^2 x}} = \frac{7.4164}{\sqrt{\epsilon B^2}} \tag{26}$$

It is obvious that
$$\lim_{\epsilon \rightarrow \infty} \frac{T_{ex}}{T_{app}} = 0.987 \tag{27}$$

The relative error is 1.317% when $\epsilon B^2 \rightarrow \infty$.

The approximate period by the homotopy perturbation method is

$$\lim_{\epsilon B^2 \rightarrow \infty} T_{homotopy} = \frac{2\pi}{\omega} = \lim_{\epsilon B^2 \rightarrow \infty} \frac{2\pi}{\sqrt{1 + \frac{3}{4}\epsilon B^2}} = \frac{7.2552}{\sqrt{\epsilon B^2}} \tag{28}$$

$$\lim_{\epsilon \rightarrow \infty} \frac{T_{ex}}{T_{homotopy}} = 1.022 \tag{29}$$

The relative error is 2.153% even when $\epsilon B^2 \rightarrow \infty$, see Fig. 4 and Table 2.

Table 2. Comparison of the approximate period of Eq. (25) with the exact one

ϵB^2	100	500	1000	1500	2000	$\epsilon B^2 \rightarrow \infty$
Exact period	0.73629	0.33118	0.23435	0.19140	0.16577	$7.4164 / \sqrt{\epsilon B^2}$
Eq.(25)	0.74568	0.33537	0.23731	0.19381	0.16787	$7.5098 / \sqrt{\epsilon B^2}$
Relative error	1.275%	1.265%	1.263%	1.259%	1.267%	1.317%
Eq.(28)	0.72073	0.32403	0.22928	0.18725	0.16218	$7.2552 / \sqrt{\epsilon B^2}$
Relative error	2.113%	2.159%	2.163%	2.168%	2.166%	2.153%

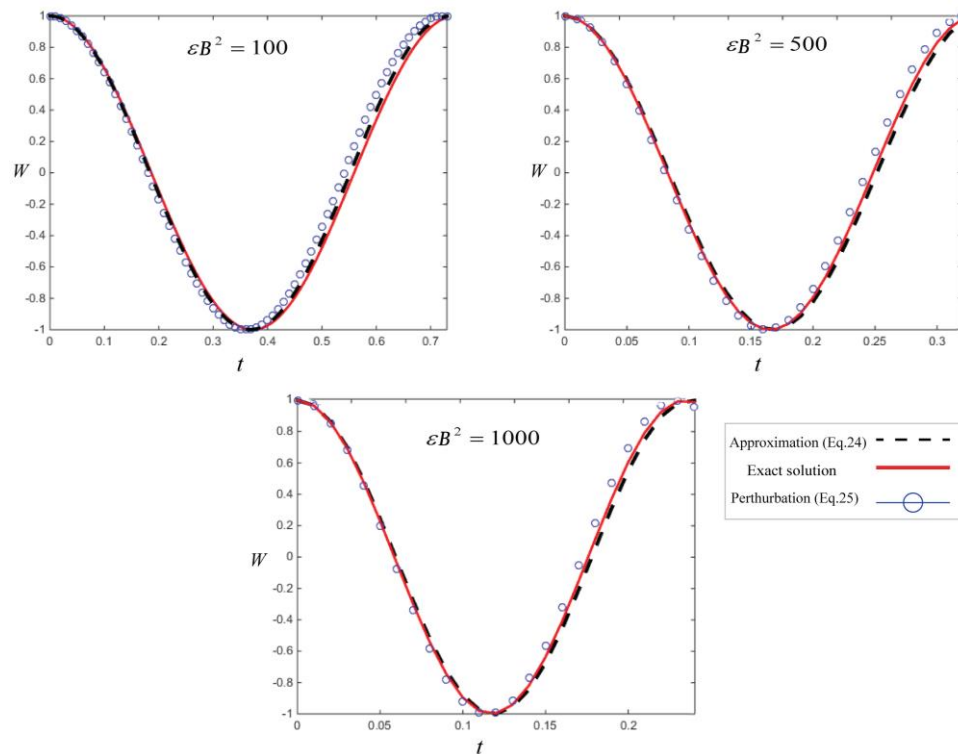


Fig. 4 Comparison of the approximate solution, the red continuous line is the exact solution, the black discontinuous line is the approximate solution, and the blue circles are perturbation solution

4. CONCLUSION

This paper suggests a modification of the frequency formulation based on the energy conservation, the obtained result is globally valid for $0 \leq \epsilon B^2 < \infty$. The example shows that our result sees a good agreement with the perturbation solution for the weak nonlinearity. Even when $\epsilon B^2 \rightarrow \infty$, our approximate frequency has also an extremely high accuracy, better than those obtained by the variational iteration method and the homotopy perturbation method.

Acknowledgements: *The authors thanks Taif University Researchers for Supporting project number (TURSP-2020/16), Taif University, Taif, Saudi Arabia.*

H.M. Sedighi is grateful to the Research Council of Shahid Chamran University of Ahvaz for its financial support (Grant No. SCU.EM99.98).

REFERENCES

1. Kleymann, G., Paehr, M., Tatzko, S., 2020, *Application of Control-Based-Continuation for characterization of dynamic systems with stiffness and friction nonlinearities*, Mechanics Research Communications, 106, 103520.
2. Andrianov, I.I., Awrejcewicz, J., van Horssen, W.T., 2020, *On the Bolotin's reduced beam model versus various boundary conditions*, Mechanics Research Communications, 105, 103505.
3. Soh, G.B.M., Monkam, Y.J., Tuwa, P.R.N., Tchitnga, R., Woafu, P., 2020, *Study of a piezoelectric plate based self-sustained electric and electromechanical oscillator*, Mechanics Research Communications, 105, 103504.
4. Ji, F. Y., He, C.H., Zhang, J.J., 2020, *A fractal Boussinesq equation for nonlinear transverse vibration of a nanofiber-reinforced concrete pillar*, Applied Mathematical Modelling, 82, pp. 437-448.
5. Meng, D., Xiao, F., Zhang, L., Xu, X., Chen, G.S., Zatar, W., Hulsey, J.L., 2019, *Nonlinear vibration analysis of vehicle-bridge interaction for condition monitoring*, Low Frequency Noise & Vibration, 38(3-4), pp. 1422-1432.
6. N. Mohamed, M.A. Eltahir, S.A. Mohamed, L.F. Seddek, 2018, *Numerical analysis of nonlinear free and forced vibrations of buckled curved beams resting on nonlinear elastic foundations*, International Journal of Non-Linear Mechanics, 101, pp. 157-173.
7. M.A. Eltahir, A.A. Abdelrahman, A. Al-Nabawy, M. Khater, A. Mansour, 2014, *Vibration of nonlinear graduation of nano-Timoshenko beam considering the neutral axis position*, Applied Mathematics and Computation, 235, pp. 512-529.
8. Sedighi, H.M., Shirazi, K.H., Zare, J., 2012, *An analytic solution of transversal oscillation of quintic non-linear beam with homotopy analysis method*, International Journal of Non-Linear Mechanics, 47(7), pp. 777-784.
9. Sedighi, H.M., Reza, A., 2013, *High precise analysis of lateral vibration of quintic nonlinear beam*, Latin American Journal of Solids and Structures, 10(2), pp. 441-452.
10. Sedighi, H.M., Malikan, M., 2020, *Stress-driven nonlocal elasticity for nonlinear vibration characteristics of carbon/boron-nitride hetero-nanotube subject to magneto-thermal environment*, Phys. Scr., 95, 055218.
11. Sedighi, H.M., Shirazi, K.H., 2013, *Asymptotic approach for nonlinear vibrating beams with saturation type boundary condition*, Proceedings of the Institution of Mechanical Engineers, Part C: Journal of Mechanical Engineering Science, 227(11), pp. 2479-2486.
12. Sedighi, H.M., 2014, *The influence of small scale on the pull-in behavior of nonlocal nanobridges considering surface effect, casimir and van der waals attractions*, International Journal of Applied Mechanics, 6(3), 1450030.
13. Sedighi, H.M., 2014, *Size-dependent dynamic pull-in instability of vibrating electrically actuated microbeams based on the strain gradient elasticity theory*, Acta Astronautica, 95, pp. 111-123.
14. Sedighi, H.M., Shirazi, K.H., 2015, *Dynamic pull-in instability of double-sided actuated nano-torsional switches*, Acta Mechanica Solida Sinica, 28, pp. 91-101.
15. Ouakad, H.M., Sedighi, H.M., 2019, *Static response and free vibration of MEMS arches assuming out-of-plane actuation pattern*, International Journal of Non-Linear Mechanics, 110, pp. 44-57.
16. Ouakad, H.M., Mohammad Sedighi, H., 2019, *Rippling effect on the structural response of electrostatically actuated single-walled carbon nanotube based NEMS actuators*, International Journal of Non-Linear Mechanics, 87, pp. 97-108.
17. Sedighi, H.M., Daneshmand, F., 2014, *Static and dynamic pull-in instability of multi-walled carbon nanotube probes by He's iteration perturbation method*, Journal of Mechanical Science and Technology, 28, pp. 3459-3469.
18. Sedighi, H.M., Moory-Shirbani, M., Shishesaz, M., Koochi, A., Abadyan, M., 2016, *Size-Dependent Dynamic Behavior and Instability Analysis of Nano-Scale Rotational Varactor in the Presence of Casimir Attraction*, International Journal of Applied Mechanics, 8(2), 1650018.
19. Kovacic, I., Brennan, M.J., 2011, *The Duffing Equation Nonlinear Oscillators and Their Behaviour*, 1st ed., John Wiley & Sons, p. 42.
20. Liu, S., Jian, J., Su, P., Wu, J., Liu, Y., Fang, Y., 2017, *Study of double-potential-well leaf spring system's chaotic vibration*, Journal of Vibroengineering, 19(3), pp. 2202-2223.
21. Tsatsos, M., 2006, *Theoretical and Numerical study of the Van der Pol equation*, Doctoral Dissertation, Aristotle University of Thessaloniki.
22. Lopez-Chamorro, F.M., Arciniegas-Mejia, A. F., Imbajoa-Ruiz, D.E., Rosero-Montalvo, P.D., Garc'ia, P., Castro-Ospina, A.E., Acosta, A., Peluffo-Ord'onez, D.H., 2018, *Cardiac pulse modeling using a modified van der pol oscillator and genetic algorithms*, in In: Rojas, I., Ortuño, F. (Eds.), *Bioinformatics and Biomedical Engineering*, IWBBIO 2018, Lecture Notes in Computer Science, vol. 10813, Springer, Cham.
23. Ramakrishnan, V., Feeny, B.F., 2012, *Resonances of a forced Mathieu equation with reference to wind turbine blades*, Journal of Vibration and Acoustics, 134(6), 064501.
24. He, J., Jin, X., 2020, *A short review on analytical methods for the capillary oscillator in a nanoscale deformable tube*, Mathematical Methods in the Applied Sciences, doi:10.1002/mma.6321.

25. He, J.-H., 2020, *A short review on analytical methods for a fully fourth-order nonlinear integral boundary value problem with fractal derivatives*, International Journal of Numerical Methods for Heat & Fluid Flow, 30(11), pp. 4933–4943.
26. He, J.-H., 2006, *Some asymptotic methods for strongly nonlinear equations*, International Journal of Modern Physics b, 20(10), pp. 1141–1199.
27. He, J.-H., 2008, *Comment on 'He's frequency formulation for nonlinear oscillators*, European Journal of Physics, 29(4), pp. L19–L22.
28. He, J.-H., 2019, *The simpler, the better: Analytical methods for nonlinear oscillators and fractional oscillators*, Journal of Low Frequency Noise, Vibration and Active Control, 38(3–4), pp. 1252–1260.
29. He, J.-H., 2019, *The simplest approach to nonlinear oscillators*, Results in Physics, 15, 102546.
30. He, C.-H., Wang, J.-H., Yao, S.-W., 2019, *A complement to period/frequency estimation of a nonlinear oscillator*, Journal of Low Frequency Noise, Vibration and Active Control, 38(3–4), pp. 992–995.
31. Tao, Z.-L., Chen, G.-H., Xue, Y.-M., 2019, *Frequency and solution of an oscillator with a damping*, Journal of Low Frequency Noise, Vibration and Active Control, 38(3–4), pp. 1699–1702.
32. Wu, Y., Liu, Y.-P., 2020, *Residual calculation in He's frequency–amplitude formulation*, Journal of Low Frequency Noise, Vibration and Active Control, doi: 10.1177/1461348420913662.
33. Ren, Z.F., Hu, G.F., 2019, *He's frequency–amplitude formulation with average residuals for nonlinear oscillators*, Journal of Low Frequency Noise Vibration and Active Control, 38, pp. 1050–1059.
34. Ren, Z.F., Hu, G.F., 2019, *Discussion on the accuracies of He's frequency–amplitude formulation and its modification with average residuals*, Journal of Low Frequency Noise Vibration and Active Control, 38(3–4), pp. 1713–1715.
35. Ren, Z.F., Liu, G.Q., Kang, Y.X., 2009, *Application of He's amplitude–frequency formulation to nonlinear oscillators with discontinuities*, Physica Scripta, 80, 045003.
36. Liu, C.X., 2020, *A short remark on He's frequency formulation*, Journal of Low Frequency Noise, Vibration and Active Control, doi: 10.1177/1461348420926331.
37. Wang, Y., An, J.Y., 2019, *Amplitude–frequency relationship to a fractional Duffing oscillator arising in microphysics and tsunami motion*, Journal of Low Frequency Noise Vibration and Active Control, 38, pp. 1008–1012.
38. Wang, Q., Shi, X., Li, Z., 2019, *A short remark on Ren–Hu's modification of He's frequency–amplitude formulation and the temperature oscillation in a polar bear hair*, Low Frequency Noise & Vibration, 38(3–4), pp. 1374–1377.
39. He, J.-H., 2002, *Preliminary report on the energy balance for nonlinear oscillations*, Mechanics Research Communications, 29(2–3), pp. 107–111.
40. He, J.-H., 2020, *Variational principle and periodic solution of the Kundu–Mukherjee–Naskar equation*, Results in Physics, 17, 103031.
41. He, J.-H., 2020, *On the fractal variational principle for the Telegraph equation*, Fractals, doi:10.1142/s0218348x21500225
42. Liu, H.-Y., Li, Z.-M., Yao, S.-W., Yao, Y.-J., Liu, J., 2020, *A variational principle for the photocatalytic NOx abatement*, Thermal Science, 24(4), pp. 2515–2518.
43. He, J.-H., Ain, Q.-T., 2020, *New promises and future challenges of fractal calculus: From two-scale thermodynamics to fractal variational principle*, Thermal Science, 24(2 Part A), pp. 659–681.